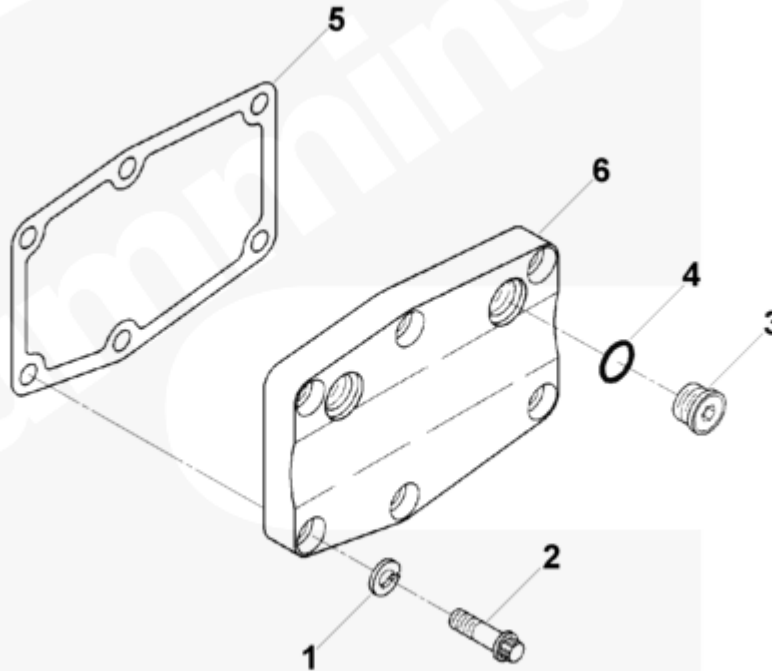




## Parts Catalog - Option Detail

Electronic Parts Catalog - Option Detail				
Option	Group	Graphic	Film Card	Date
LF6704-02	07.04	lf601ge	K38	19-JAN-99
<b>Engines</b>	GTA38, K38, KTA38GC CM558, QSK38 CM2150 K106, QSK38 CM2150 MCRS, QSK38 CM850 MCRS			

©Cummins Inc



lf601ge

[SMALL](#) | [MEDIUM](#) | [LARGE](#)

Cart	Ref No	Part Number	Part Description	Required	Remarks
<a href="#">View My Cart</a>					
		<a href="#">LF6704-02</a>	Oil Transfer Connection		<a href="#">Oil Transfer Connection...(More)</a>
					Component Supplied: Oil
					Transfer Connection
					Intended Usage:
					With Factory Mounted Lube Oil
					By - Pass Filter.
<input type="checkbox"/>	1	<a href="#">S 604</a>	Lock Washer	12	3/8 in.

<input type="checkbox"/>	2	<a href="#">191772</a>	Twelve Point Cap Screw	12	3/8 - 16 X 1 1/4 in.
<input type="checkbox"/>		<a href="#">3046202</a>	Threaded Plug	4	3/4 - 16 UNF.
	3	<a href="#">3040810</a>	Threaded Plug	1	
<input type="checkbox"/>	4	<a href="#">3046201</a>	O-Ring Seal	1	
<input type="checkbox"/>	5	<a href="#">3627938</a>	Cover Plate Gasket	2	
<input type="checkbox"/>	6	<a href="#">3629146</a>	Oil Transfer Connection	2	

© 2019 Cummins Inc., Box 3005, Columbus, IN 47202-3005 U.S.A.  
Terms of Use and Disclaimers | Recommended System Requirements  
Need Assistance? Please click on the Contact Us button in the top right corner of any page.